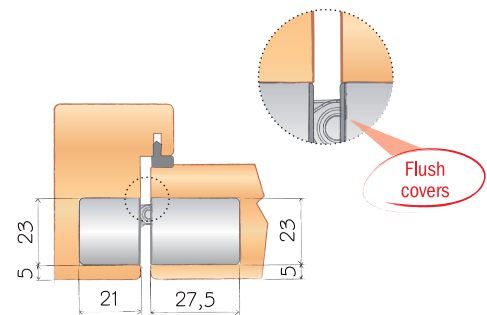
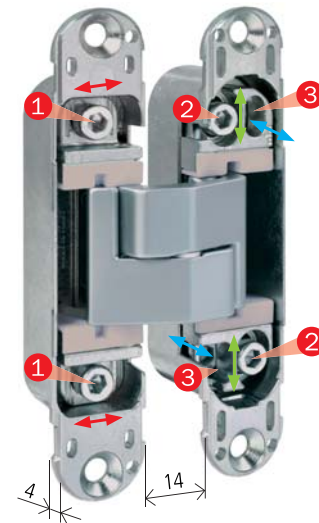


ECLIPSE 3.2

Hinge with metal covers
for flush doors with or without rebate



Frame part Sash part



- Ideal even for aluminium frames, thanks to the 4 mm thickness of the hinge fastening.
- Completely invisible thanks to reduced dimensions.
- Flush metal and plastic covers.

- Three adjustments completely independent using a unique 3 mm Allen key:
 - pressure adjustment ± 1 mm ①;
 - vertical adjustment ± 2 mm ②;
 - horizontal adjustment $\pm 1,5$ mm ③.